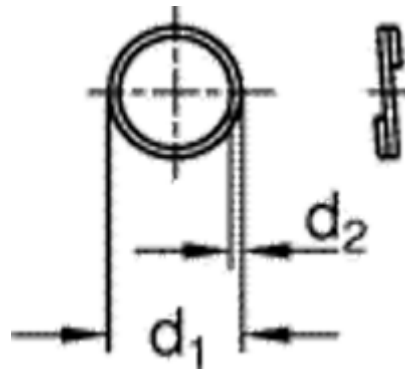


Article number: 201302013

Description: E+G  
Keyring GN 111.3-14

## Measures

---



$d_1 = 14$   
 $d_2 = 1.0$